

340D & 350D SERIES FRAMELESS BYPASS BATH ENCLOSURES

800-643-1514

www.alumaxshowerdoor.com



!WARNINGS!

INSTALLATION WARNINGS

- a) Alumax Bath Enclosures by Sapa are intended to be installed by an experienced installer. If you need assistance with locating an experienced installer, contact us at 1.800.643.1514 or go to our website www.alumaxshowerdoor.com to access our "dealer locator". If a dealer is not listed in your area, call or send us an e-mail and we will find one for you.
- b) The enclosure must be properly installed per our published installation instructions. If NOT, the unit will not operate as designed which will cause hardware failure, glass breakage, leaking, other unidentified issues, and may cause nullification of warranty.
- c) Unpack your unit carefully and inspect for freight damage. Lay out and identify all parts using the instruction sheets as a reference. Before discarding the carton, check for small hardware bags that tend to fall into the bottom of the box. If any parts are damaged or missing, refer to the descriptions noted in the instructions when contacting your dealer for replacements.
- d) Before beginning installation, check the tub rim for level and both walls for plumb. If either is off more than 1/4" to 3/8", you should use a tapered filler which can be used to level the tub track or plumb the wall jambs.
- e) Wear safety glasses when drilling or cutting to avoid injury to the eyes.
- f) When drilling holes in ceramic tile or marble, use a center punch and hammer to carefully break the surface glaze so the drill can start without skidding. A skidding drill can cause damage to the surface and can be dangerous (risk of personal injury).
- g) Use caution and proper technique whenever using tools to avoid damage to property and/or personal injury.

GENERAL USAGE AND HANDLING WARNINGS

- a) Shower doors are not leak-proof. They are designed to direct water to the interior of the tub or shower under normal conditions. Excessive water pressure or directing the shower head directly at the door can result in leaks.
- b) Do not hang on towel bars or handles or use them to support your weight getting in and out of the bathtub or shower. Towel bars and handles are not intended to be used as grab bars for assistance getting in and out of the shower or bathtub. They are not intended to support a person's weight and could break.
- c) Do not use excessive force when opening and closing the enclosure. Excessive force can lead to glass breakage or other damage to the enclosure. Make sure wall jamb bumpers are securely fastened in place per the installation instructions.

GLASS USAGE AND HANDLING WARNINGS

- a) **TEMPERED GLASS CANNOT BE CUT.** Attempting to cut tempered glass will result in the glass breaking or shattering.
- b) **USE CAUTION WHEN HANDLING GLASS PANELS.** Safety tempered glass is very resistant to breakage, but it can still break if unequal pressure is placed on it during installation (or if cutting of the glass is attempted). In addition, the sharp corners of the panels can damage tile and floor coverings or cause injury.
- c) **PROTECT THE EDGES OF THE GLASS.** Never let the edge of the glass come in direct contact with concrete, tile, marble or other hard surfaces that may nick, or damage the glass edge in any way as this damage may cause a delayed blow. Always check the edge of the glass for nicks, slivers, rough areas, or clam shelling. Do not install the glass if these conditions are present.
- d) Alumax Bath Enclosures by Sapa is not liable for glass breakage of any kind.

CARE AND CLEANING WARNINGS

- a) The simplest and preferred method of cleaning your unit is by washing it with clean water and drying with a soft cloth.
- b) If soil is still present after drying, a non-abrasive cleanser with a pH of seven to eight may be used. Comet Bathroom Cleaner® has been tested and is recommended by the Bath Enclosure Manufacturers Association (BEMA).
- c) Contact your dealer for more information about glass coatings that will help keep the glass clean.
- d) **DO NOT USE SCOURING PADS, SHARP INSTRUMENTS, BLEACH OR ACID-BASED CLEANSERS TO CLEAN THE UNIT AS THEY MAY DAMAGE THE UNIT.**

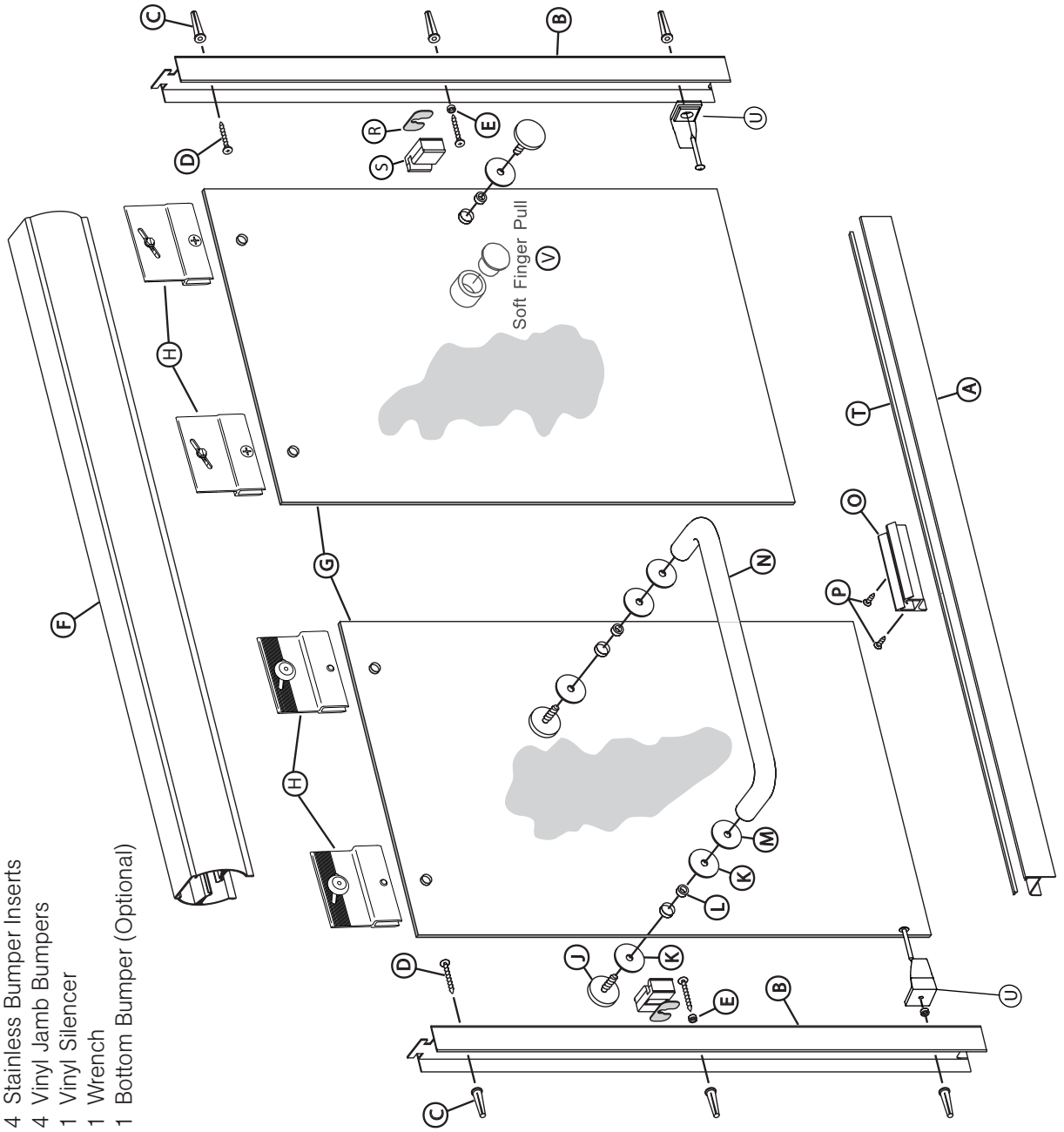
LIMITED WARRANTY

- a) Alumax Bath Enclosures by Sapa provides a LIMITED WARRANTY on material and workmanship only. Primary glass and component suppliers must be included in all warranty claims.
- b) Alumax Bath Enclosures by Sapa is not responsible for glass breakage.
- c) Products must be handled, installed and maintained per our published Warning and Installation instructions or the warranty may be nullified.
- d) The Limited Warranty applies to the original owner only, and is not transferable.
- e) Please visit our website www.alumaxshowerdoor.com or call us at 1.800.643.1514 to get copies of our published warranty, installation and warranty policies.

340D-350D PARTS LIST

- A. 1 Tub Track
- B. 2 Wall Jamb
- C. 6 Plastic Wall Anchors
- D. 6 #8 X 1 1/2" Truss Head Screws
- E. 4 Nylon Spacers
- F. 1 Header
- G. 2 Glass Lites
- H. 4 Hanger Brackets (Pre-Assembled)
- I. 4 End Caps
- J. 4 Plastic Washers (Large Hole)
- K. 4 Plastic Washers (Small Hole)

- L. 4 Glass Inserts
- M. 4 Metal Washers
- N. 2 Towel Bars
- O. 1 Nylon Bottom Guide
- P. 2 #6 X 3/8" Pan Head Screws
- Q. 4 Stainless Bumper Inserts
- R. 4 Vinyl Jamb Bumpers
- S. 1 Vinyl Silencer
- T. 1 Wrench
- U. 1 Bottom Bumper (Optional)



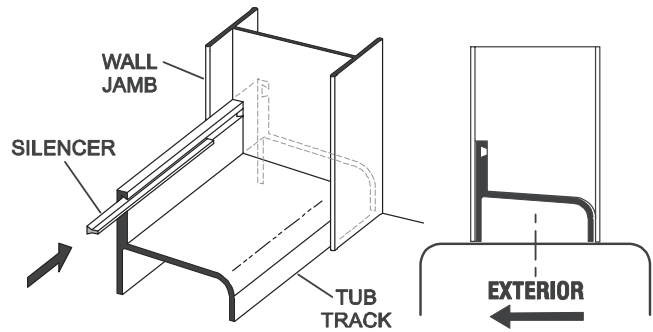
1

Measure the wall-to-wall opening along the center of the tub rim. Cut the tub track **[A]** 1/16" short of this dimension. An inexpensive miter box available at your hardware store will help you get clean square cuts.

If the vinyl silencer (W) is separate from the tub track (A) slide the silencer into the slot in the tub track.

Position the tub track in the center of the tub rim with the tall leg to the exterior. It may be necessary to file a radius on the ends of the tub track and wall jambs to match the corners of the tub.

Press both wall jambs **[B]** into position over the tub track. Masking tape can be used to hold parts in place temporarily.



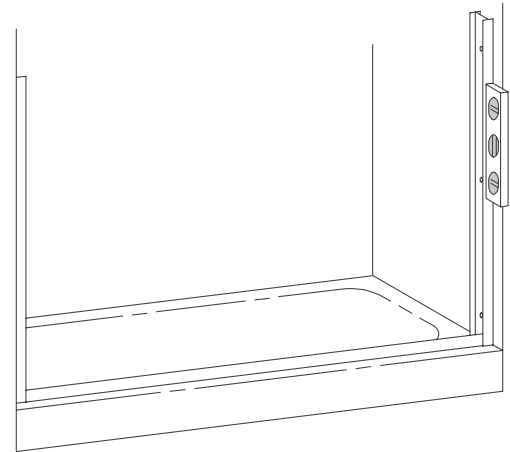
2

Use a level to plumb both wall jambs **[B]**, then mark the pre-drilled hole locations on the wall. Lightly mark along both sides of the tub track **[A]** with a pencil, then remove all parts.

For tile or marble walls, drill six 7/32" diameter holes and insert the plastic wall anchors **[C]**. A center punch helps locate the holes accurately.

Attachments to fiberglass or acrylic units can be made in two ways. If a reinforcement is built into the wall of the unit, drill six 1/8" diameter holes and install the screws directly into the reinforcement. If the walls are not reinforced, drill 7/32" holes and install plastic wall anchors or molly bolts (molly bolts not supplied by ALUMAX).

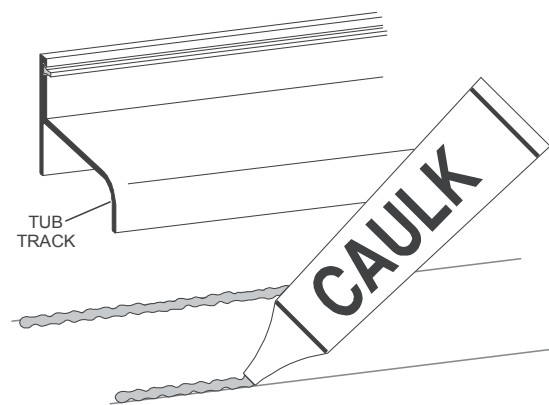
CAUTION: The track should never be screwed to the tub. This will damage the tub and cause leakage.



3

Before replacing the tub track **[A]**, force a slight downward bow in the extrusion. This will ensure the track fits tight to the tub. Run two beads of caulk inside the penciled marks on the tub rim. Place the tub track in the exact position marked in Step #2 and seat it firmly in the caulking.

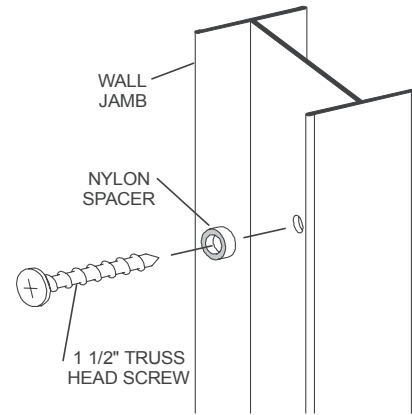
NOTE: Improper caulking will result in leaks.



4

Replace one wall jamb [B] and attach to the wall with a #8 x 1 1/2" truss head screw [D] inserted through the top and bottom holes. Slip a nylon spacer [E] over a #8 x 1 1/2" truss head screw and install in the center hole of the wall jamb. Check wall Jamb for plumb and tighten the screws.

Note: Do not over tighten the screws.



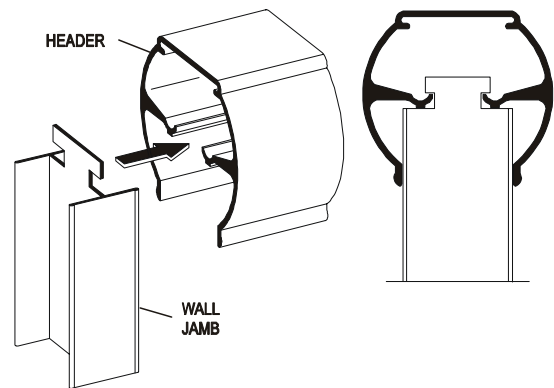
5

This bath enclosure is equipped with safety tee-lock wall jamba. When installed properly, the header is permanently locked to the wall jamba and cannot be accidentally dislodged.

Measure the wall-to-wall opening at the top of the wall jamba [B] and cut the header [F] 1/16" short of this dimension. Check the header for fit.

Slide the safety tee-lock of the unmounted wall jamb into the header.

Holding the header at an angle, engage the end onto the mounted wall jamb. Pivot the header into place, then slide the loose wall jamb to the wall and press into position on the tub track. Attach to the wall per instructions in Step #4.

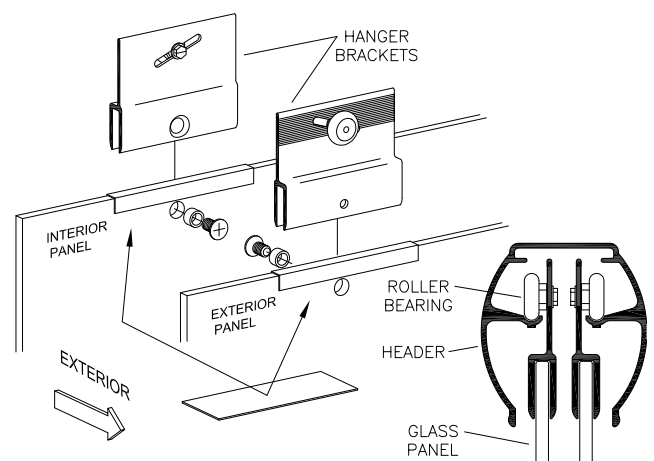


6

Obscure glass lites [G] should be installed with the rough surface of the glass to the exterior of the unit. Note that the hanger brackets [H] are mounted in opposite directions to create an interior and exterior door panel.

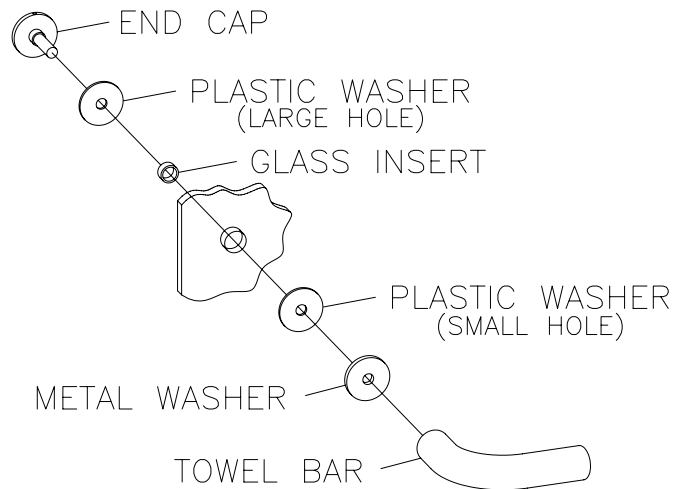
FOR 3/16" GLASS ONLY – Wrap the supplied vinyl around the top of the glass panel making sure not to cover the hole. Proceed with the installation of the hanger brackets as described below.

Insert a bushing in the hole in the top of the glass. Place the hanger bracket over the glass and bushing. Secure the hanger bracket, to the glass with the 1/4-20 flat head screw through the glass and bushing. Repeat for all hanger brackets. If you have 3/16" glass (optional for the 340 D), you will need to get the vinyl spacer kit G03998811. Put the vinyl spacer over the edge of the glass as shown and install the hanger brackets. **CAUTION** – Do not over tighten the brackets and cause the end to clamp down on patterned glass. Do **NOT** use a screw gun. This can cause the glass panel to shatter.



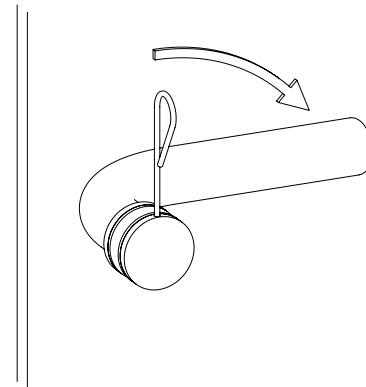
7

Locate the four, large hole, plastic washers [J] and place them over the threads and flush with the four end caps [I]. Next, place the four glass inserts [L] onto the four end caps [I] and flush with the plastic washers [J]. In step 6 the interior and exterior panels were determined by setting the orientation of the hanger brackets [H]. The towel bars [N] will be installed on the same side of the panels as the rollers in the hanger brackets [H]. Insert the threaded portion of an end cap [I] through one of the holes in a glass panel [G], making sure that it is located on the opposite side from the rollers on the hanger brackets [H]. Place a, small hole, plastic washer [K] and a metal washer on the end cap [J] threads. Now, loosely, thread the towel bar [N] onto the exposed threads of the end cap [J]. Make another end cap assembly, and thread into the other end of the towel bar [N]. Repeat this process for the other glass panel [G], making sure that the towel bar is located on the same side as the rollers in the hanger brackets [H].



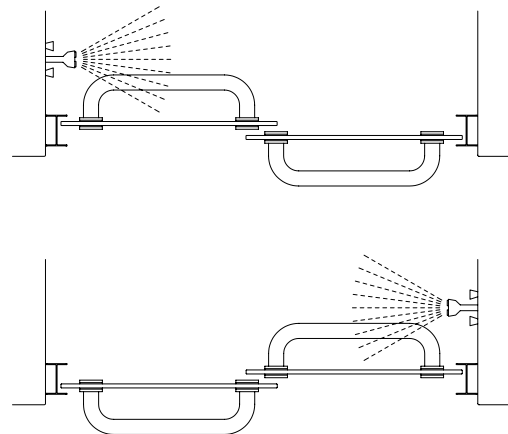
8

Insert the wrench [T] into the small hole on the edge of an end cap [I] and rotate in a clockwise direction until tight. Repeat for all remaining end caps.



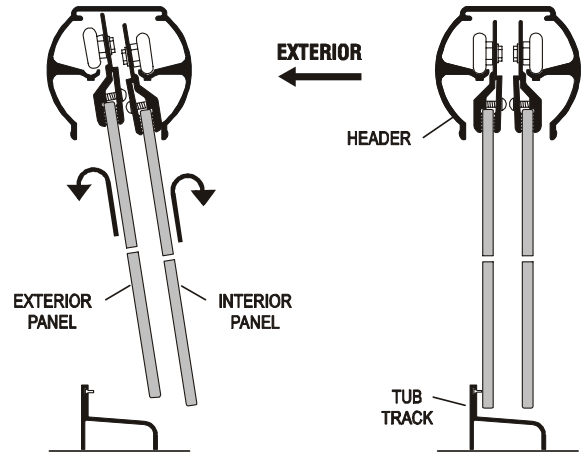
9

Before installing the door panels, the proper orientation should be determined. For maximum water-proofing, the interior panel should always be positioned closest to the shower head, as shown in this illustration.



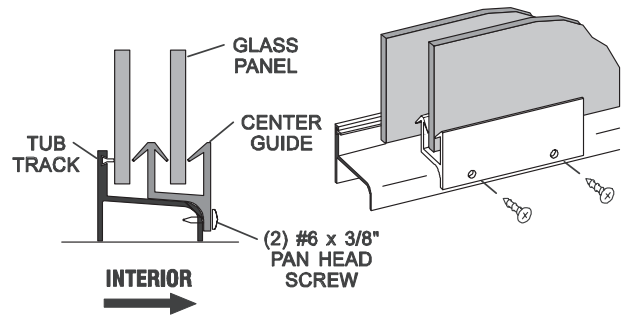
10

Lift the interior glass panel into position with the rollers engaging the groove in the header [F]. Repeat for the exterior panel. If panels are not parallel to their respective wall jambs, remove and adjust the rollers up or down in their slots to compensate.



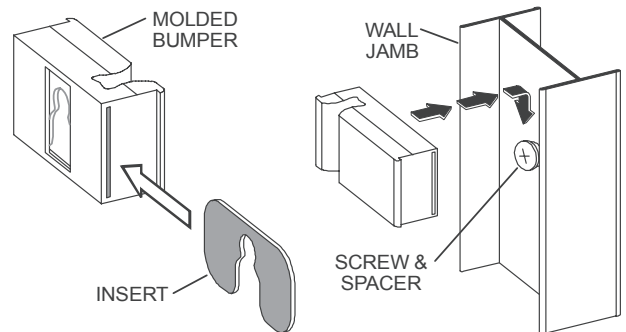
11

Locate the nylon bottom guide [O] in the middle of the tub track [A] with the glass panels in the position shown. With a 7/64" bit, drill two holes into the V-groove through the mounting holes in the guide. Install the bottom guide with two #6 x 3/8" pan head screws [P] thru the drilled holes as shown.



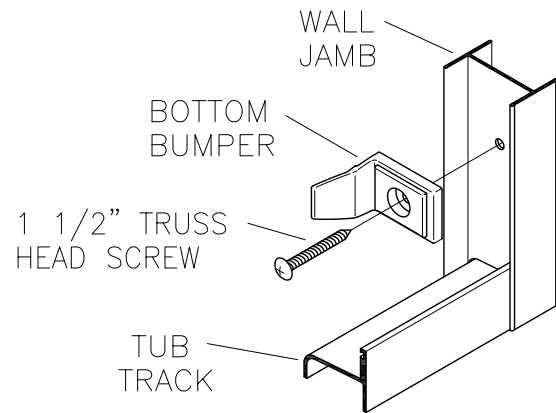
12

Slide the stainless steel bumper inserts [U] into the two soft vinyl jamb bumpers [V]. Align the slots in the bumpers with the glass panels and snap the bumpers downward over the center wall jamb screws [D] with the spacers [E].



12a

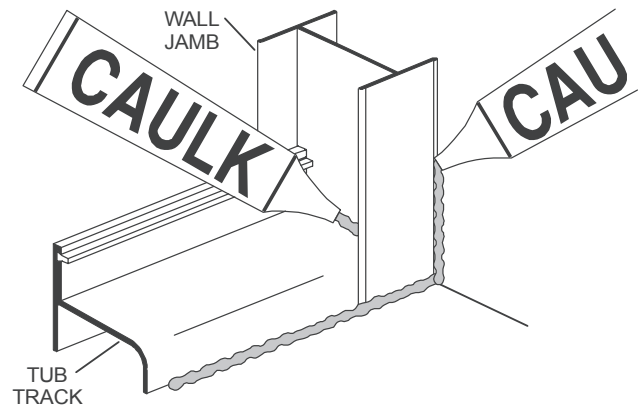
To install the optional bottom bumper [U], remove the bottom wall jamb screw closest to the shower head. Insert the screw through the hole in the center of the bottom jamb bumper and replace it in the wall jamb, with the leg pointing inside of the enclosure. Re-tighten the screw.



13

Neatly caulk each end of the tub track [A] where it meets the wall jambs [B] and the interior edge of the wall jambs as shown. Run a bead of caulking along the interior edge of the tub track.

NOTE: The caulking should be allowed to cure for twenty-four hours before using your new bath enclosure.



The Care and Cleaning of your new ALUMAX Bath Enclosure. The simplest and preferred method of cleaning your unit is by washing it with clean water and drying with a soft cloth. If soil is still present after drying, a non-abrasive cleanser with a pH of seven to eight may be used. Comet Bathroom Cleaner® has been tested and is recommended by the Bath Enclosure Manufacturers Association (BEMA). Do not use scouring pads, sharp instruments, or acid-based cleansers to clean the unit.

Thank you for choosing an ALUMAX Bath Enclosure. Please take a moment to complete and return the enclosed Customer Response Card. The information you provide helps us improve the quality of our products and provide better service to you, our customer.