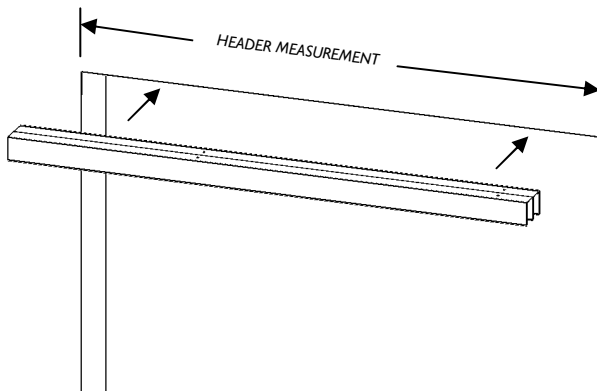
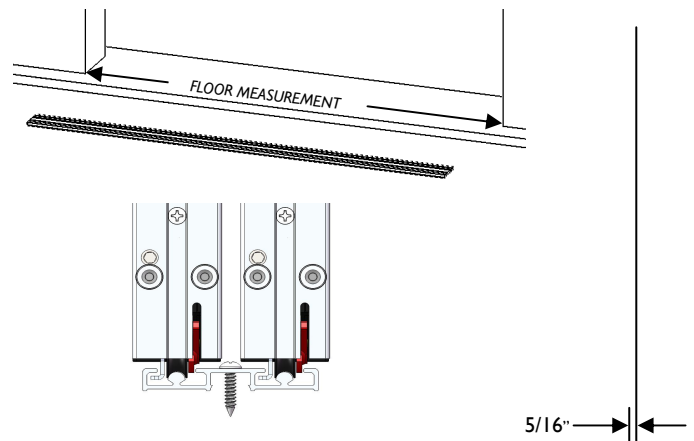


1.



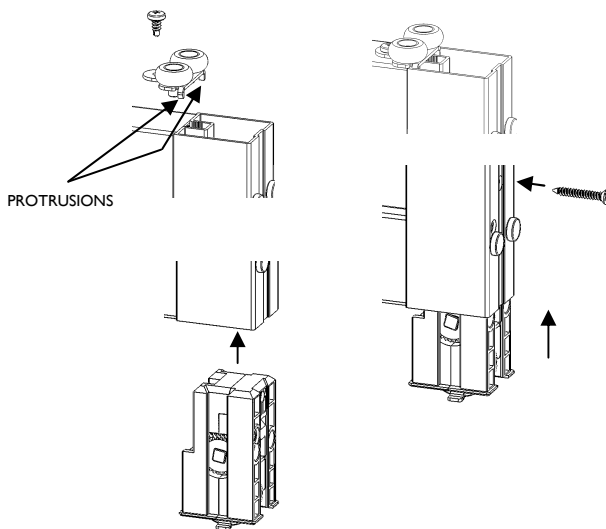
- A. MEASURE THE OPENING AT THE HEADER AND CUT THE TOP CHANNEL TO THE MEASURED LENGTH.
- B. CENTER THE TOP CHANNEL IN THE HEADER AND ATTACH IT WITH #8 X 1 1/4" PH SM SCREWS. SPACING SCREWS APPROXIMATELY 24" APART.

2.



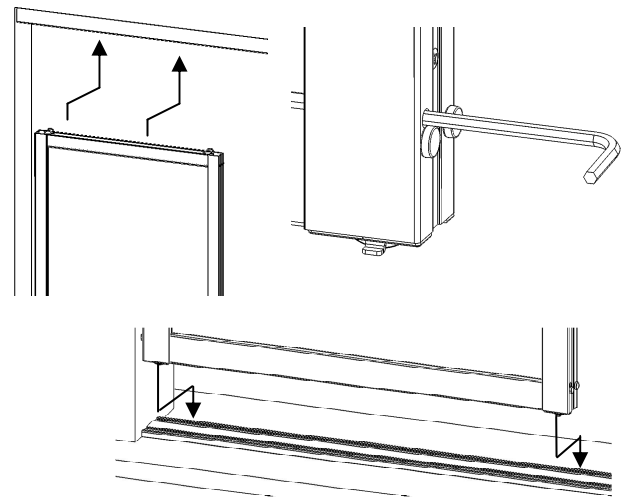
- A. MEASURE THE OPENING AT THE FLOOR AND CUT THE TRACK TO THE MEASURED LENGTH.
- B. ATTACH THE TRACK TO THE FLOOR, OFFSETTING IT 5/16" AS SHOWN. ATTACH THE TRACK TO THE FLOOR USING #8 X 1" PH SM SCREWS SPACED APPROXIMATELY 24" APART.

3.



- A. INSTALL THE TOP TWIN ROLLERS WITH A #6 X 3/8" TEK SCREW AS SHOWN.
- B. NOTE: THE PROTRUSIONS ON THE ROLLER ASSEMBLY FIT INSIDE THE STILE.
- C. INSTALL THE BOTTOM ROLLING SYSTEM INTO THE STILE AS SHOWN AND INSERT A #6 X 1 FHSMS INTO THE STRIKE SIDE OF THE STILE AS SHOWN.

4.



- A. INSTALL THE INWARD MOST DOOR FIRST. INSERT THE TOP ROLLERS INTO THE HEADER AND THEN INSERT THE BOTTOM ROLLERS AS SHOWN.
- B. REPEAT THE PROCESS FOR THE OUTWARD MOST DOOR.
- C. ADJUST THE ROLLERS, USING A 4MM ALLEN WRENCH, FOR FIT AND TRIM.