

COXUSA

ASSEMBLY INSTRUCTIONS FOR SWING DOOR/SERIES 27S

1. SIZE DOORS TO FIT OPENINGS

HEIGHT

NET FINISHED OPENING HEIGHT	MIRROR LENGTH	STILE LENGTH
80 1/2" (204.5cm)	80 1/4" (203.8 cm)	81" (205.7cm)

WIDTH

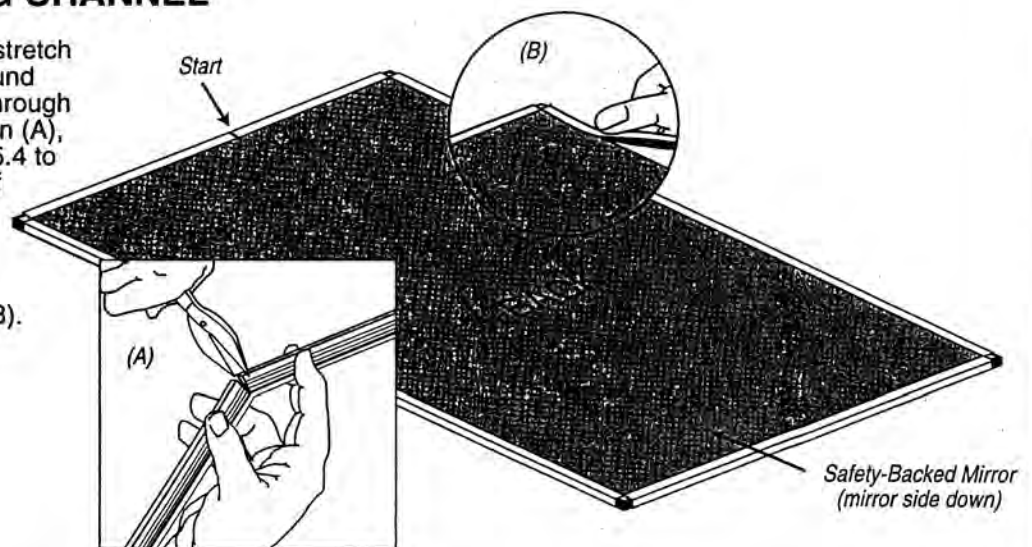
NET FINISHED OPENING WIDTH	MIRROR WIDTH	RAIL WIDTH
24" (60.9cm)	27 1/2" (69.9cm)	26 1/2" (67.3cm)
28" (71.1cm)	31 1/2" (80.0cm)	30 1/2" (77.5cm)
30" (76.2cm)	33 1/2" (85.1cm)	32 1/2" (82.6cm)
32" (81.3cm)	35 1/2" (90.2cm)	34 1/2" (87.6cm)
34" (86.4cm)	37 1/2" (95.3cm)	36 1/2" (92.7cm)
36" (91.4cm)	39 1/2" (100.3cm)	38 1/2" (97.8cm)

Door will overlap opening approximately 2" (50.8mm) on each side and approximately 1 3/4" (44.5mm) at the top.

2. APPLY GLAZING CHANNEL

Starting in center of top, stretch glazing channel tight around mirror. Make partial cut through glazing channel, as shown (A), approximately 1" to 2" (25.4 to 50.8mm) before corner of mirror panel.

Stretch glazing channel tight and around corner engaging cut as shown (B).

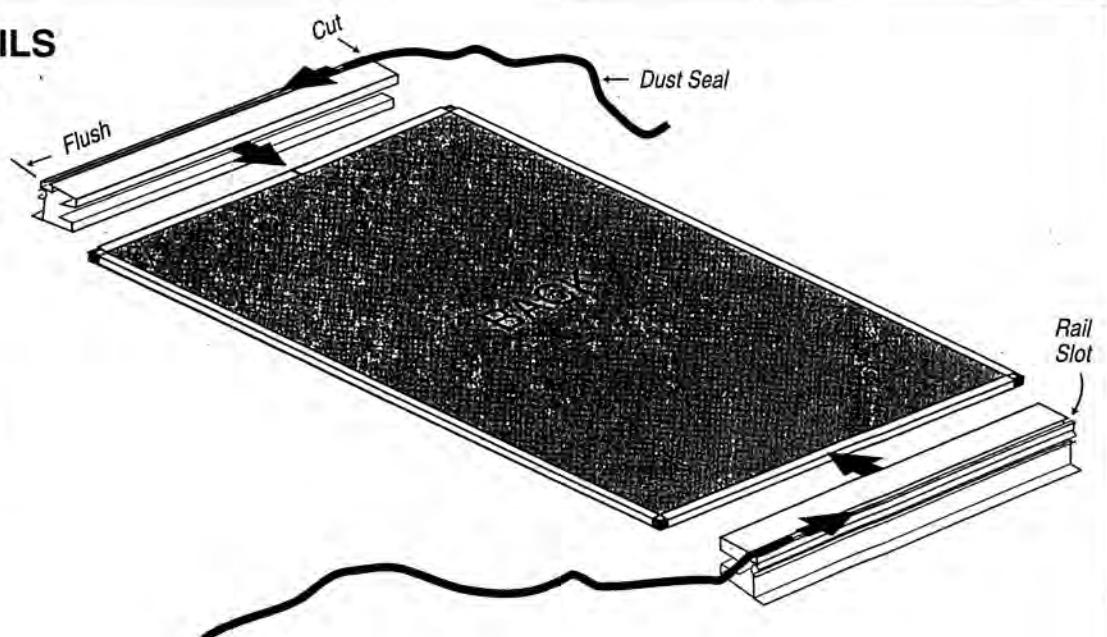


3. INSTALL RAILS

Using white rubber mallet, tap on horizontal rails over clear glazing channel, centering on mirror panel.

Rail slots for Dust Seal must be to the back.

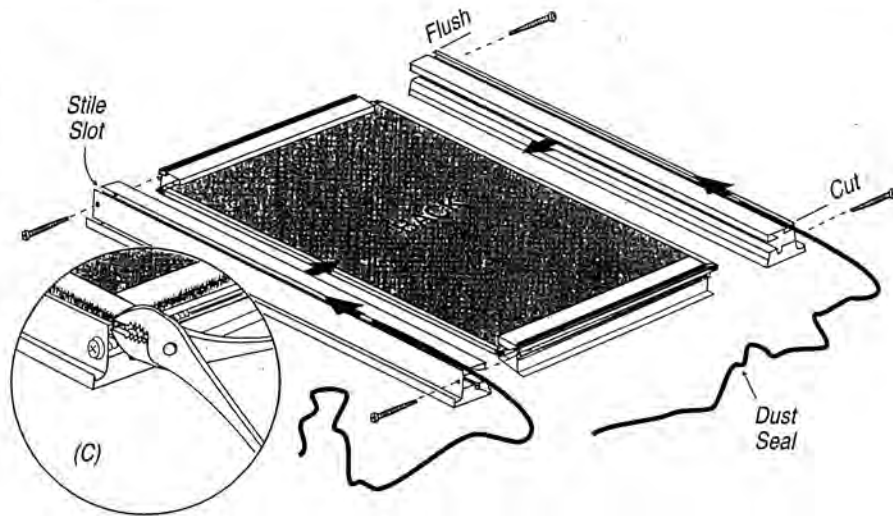
Slide Dust Seal into rail slots until flush with end of rail. Cut flush at opposite end.



4. INSTALL STILES

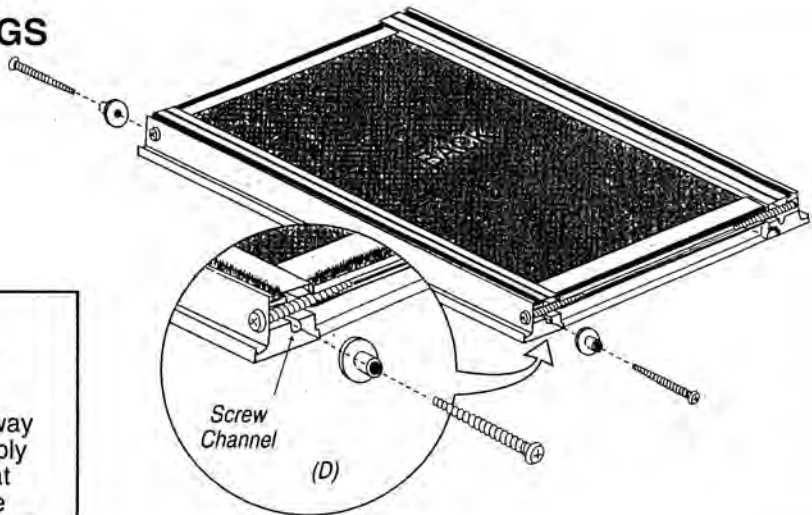
Tap on vertical stiles over clear glazing channel and square corners. Attach stiles to rails using #8 x 1 1/2" (38.1mm) pan head screws.

Slide Dust Seal into stile slots until flush with end of stile. Cut flush at opposite end. Crimp each end of stile slot to prevent Dust Seal from sliding out, as shown (C).



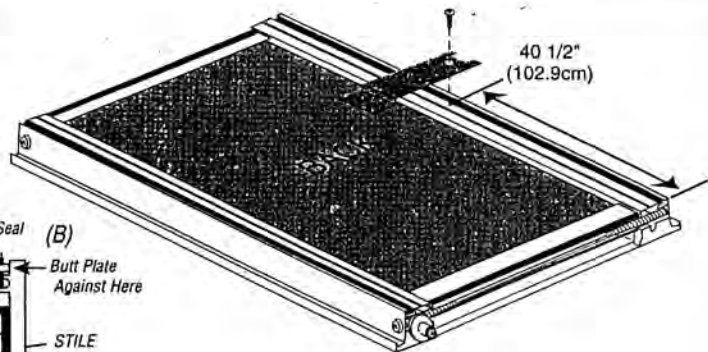
5. INSTALL PIVOT BUSHINGS

Attach one nylon pivot bushing to each end of the SAME stile by driving a #6 x 1" (25.4mm) pan head screw through the bushing and into screw channel, as shown (D).

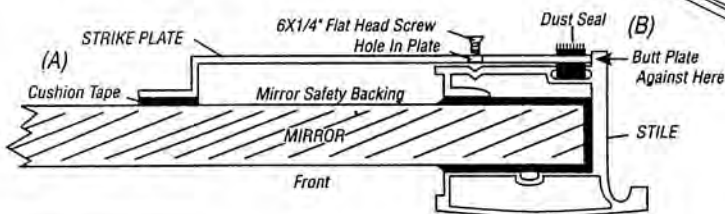


6. INSTALL STRIKE PLATE

On opposite side from pivot bushings, install strike plate on back of door halfway (40 1/2" or 102.9cm) from one end. Apply dual face cushion tape on strike plate at (A) and remove paper cover. Butt strike plate against side flange of stile at (B) and press cushion tape against mirror safety backing. Secure to stile with #6 x 1/4" (6.4mm) flat head screw.



END VIEW



COXUSA

4755 E. ZINFANDALE COURT, SUITE D | ONTARIO, CA 91761
P 909/975-4801 | WWW.COXUSA.COM

MIRROR SPECIFICATIONS

Cox Series 27S Surface Mount Mirror Swing Door hardware is manufactured ready to assemble on pre-cut 1/8" or 5/32" (3 or 4 mm) safety-backed mirror for 24" to 36" (60.9 to 91.4cm) openings. Mirror used for 36" (91.4cm) openings must be 5/32" (4mm) only. Mirror for all 27S passage door applications must conform to CPSC 42FR 1428; 16 CFR Part 1201 Category 2 Safety Glazing Standards.*

* U.S. Consumer Product Safety Commission, Washington, D.C. 20207

COXUSA

INSTALLATION INSTRUCTIONS FOR SWING DOOR/SERIES 27S

1. FIT DOORS TO OPENING

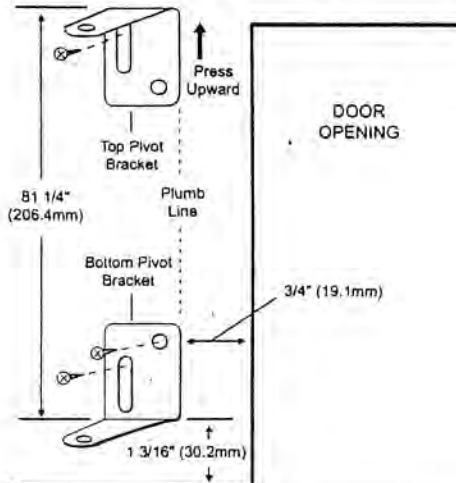
WIDTHS		HEIGHTS	
FINISHED OPENING SIZE	OVERALL DOOR SIZE	FINISHED OPENING SIZE	OVERALL DOOR SIZE
24" (60.9cm)	28" (71.1cm)	80 1/2" (204.5cm)	81" (205.7cm)
28" (71.1cm)	32" (81.3cm)		
30" (76.2cm)	34" (86.4cm)		
32" (81.3cm)	36" (91.4cm)		
34" (86.4cm)	38" (96.5cm)		
36" (91.4cm)	40" (101.6cm)		

Door will overlap opening approximately 2" (50.8mm) on each side and approximately 1 3/4" (44.5mm) at the top.

2. INSTALL WALL MOUNT PIVOT BRACKETS

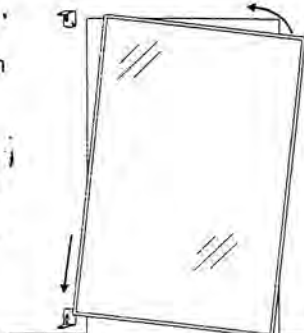
Determine on which side the door will pivot. Mount bottom pivot bracket 1 3/16" (30.2mm) from floor and tighten both #8 x 1 1/2" (38.1mm) flat head screws. Note screw locations in drawing. Measure and mount top pivot bracket with only one #8 x 1 1/2" (38.1mm) flat head screw in **top portion** of slotted hole. Install screw until almost tight. Do not add second screw into top pivot brackets until door is in place. Make sure top and bottom pivot brackets and plumb. Press top pivot bracket **upward** to its highest position.

NOTE: Mounting screws must engage wall studs!



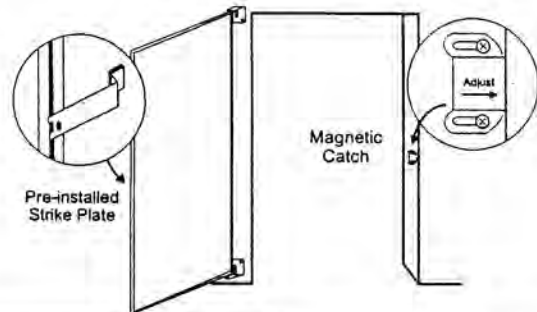
3. INSTALL DOOR

Lift door and engage bottom pivot into bottom pivot bracket. Tilt door vertically and slide top pivot bracket down over top pivot. Swing door open and add second #8 x 1 1/2" (38.1mm) flat head screw in countersunk hole in top pivot bracket. Tighten both screws.



4. INSTALL MAGNETIC CATCH

Close door and transfer height location of strike plate to inside jamb or wall of opening. Attach magnetic catch **FLUSH** to front of opening using two #6 x 1 1/4" (31.8mm) gold pan head screws. Install screws as far forward in slots as possible to allow for adjustment. **DO NOT TIGHTEN.** With door in closed position, press magnetic catch forward until contact is made with strike plate. Tighten screws.



ARCHITECTURAL SPECIFICATIONS

Cox Series 27S shall pivot at the top and bottom on Series 27S reversible, plated steel surface mounted pivot brackets.

Door shall be assembled using Cox Series 27S aluminum stiles and rails over clear glazing channel. Each corner shall be secured with one each #8 x 1 1/2" (38.1mm) screw.

Stiles, rails, brackets and all other hardware shall be manufactured by Arthur Cox & Sons, Incorporated, Industry, California.

MIRROR SPECIFICATIONS

Cox Series 27S Surface Mount Mirror Swing Door hardware is manufactured ready to assemble on pre-cut 1/8" or 5/32" (3 or 4mm) safety-backed mirror for 24" to 36" (60.9 to 91.4cm) openings. Mirror used for 36" (91.4cm) openings must be 5/32" (4mm) only. Mirror for all 27S passage door applications must conform to CPSC 42FR 1428; 16CFR Part 1201 Category 2 Safety Glazing Standards.*

*U.S. Consumer Product Safety Commission, Washington, D.C. 20207

COXUSA

4755 E. ZINFANDELE COURT, SUITE D | ONTARIO, CA 91761
P 909/975-4801 | WWW.COXUSA.COM